

AFV Series Vacuum Filter



Features

- Filter dust and other particles from the vacuum flow.
- Transparent housing, easy to indicate the degree of contamination.
- Filter element is replaceable.
- Reduces the risk of operation breakdown or stoppage in the vacuum pump.
- Various nominal flow rate for option.



Application

- Suitable for vacuum system with light or medium dirt level.
- Ideal for using as prefilters, and fine filters for air with varying degrees of contamination

How to order

AFV 15 B
① ② ③

① Series	② Connection thread	③ Bracket	Material of filter element
AFV	10 - G3/8 Female thread 15 - G1/2 Female thread 20 - G3/4 Female thread 25 - G1" Female thread 40 - G1"1/2 Female thread	B - Default, with bracket	PE, Removal efficiency 10µm

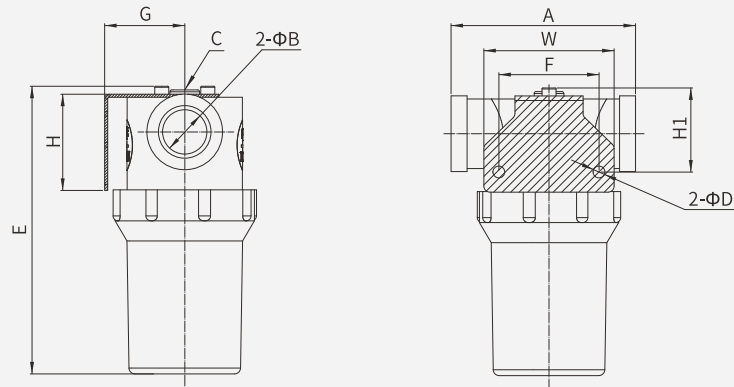
Technical parameters

Model	Operating pressure (kPa)	Material	Temperature (°C)	Removal efficiency (µm)	Nominal flow (NL/min)	Internal volume (cm ³)	Filter area (m ²)	Weight (g)
AFV10	-100~0	PA	-20~80	10(PE)	150	45	0.003	70
AFV15		PC			900	195	0.010	168
AFV20		PE			900	205	0.010	170
AFV25					2,520	495	0.019	424
AFV40					5,100	675	0.023	550

AFV Series Vacuum Filter



Dimensions (mm)



Model/ Size	A	B	C	D	E	F	G	H	H1	W
AFV10	76.5	2-G3/8	NPSF1/8	6	74.5	50	40	48	43.5	65
AFV15	91.5	2-G1/2	NPSF1/8	6	134.5	50	40	48	43.5	65
AFV20	92	2-G3/4	NPSF1/8	6	143.5	50	40	48	43.5	65
AFV25	127	2-G1"	NPSF1/8	6	169.5	70	56	52	48	85
AFV40	127	2-G1"1/2	NPSF1/8	6	212.5	70	56	52	48	85

Repair kits



Filter element

Model	Applicable vacuum filter
AFV10-FE	AFV10
AFV20-FE	AFV15, 20
AFV25-FE	AFV25
AFV40-FE	AFV40