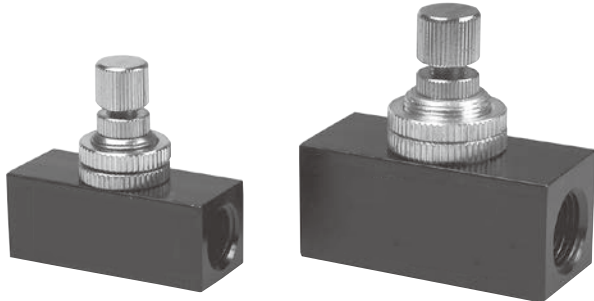
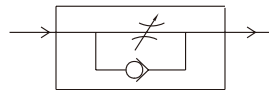


## SC 200/300 Series FLOW CONTROL VALVE



### Symbol



### Specification

Model	SC200		SC300		
Bore No.	6A	8A	10A	15A	
Port size	Rc1/8	Rc1/4	Rc3/8	Rc1/2	
Medium	Air				
Operating pressure range	0~1 MPa				
Proof pressure	1.5 MPa				
Ambient temperature	-5~+60°C (No freezing)				
Flow (ℓ/min)	Free flow	95	100	300	400
	Controlled flow	140	150	500	520
Number of needle rotations	8				
Weight	72 g		130 g		

\* Supply pressure: 0.5 MPa, Temperature: 20°C

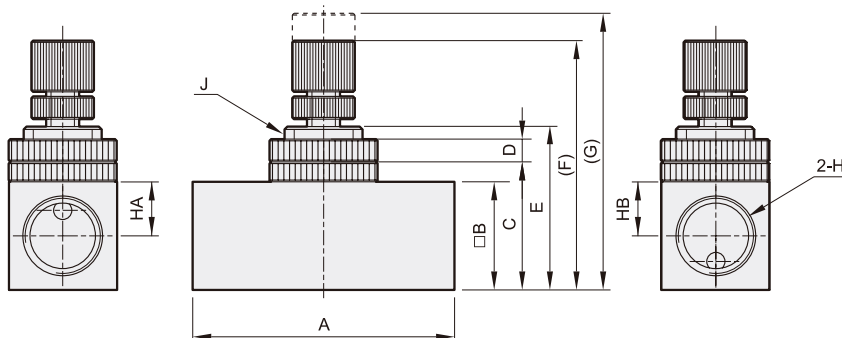
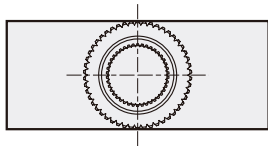
### Order example

SC200 — 6A — G

MODEL  
SC200  
SC300

PORT SIZE  
6A: Rc1/8  
8A: Rc1/4  
10A: Rc3/8  
15A: Rc1/2

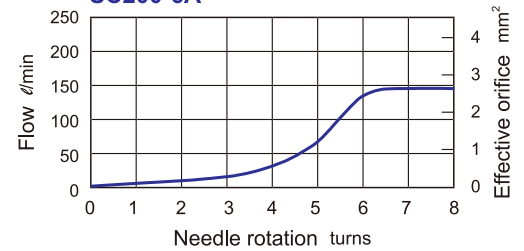
PORT THREAD  
Blank: Rc thread  
G: G thread  
NPT: NPT thread



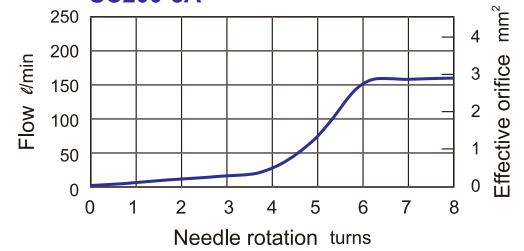
Code Model	A	B	C	D	E	F	G	H	HA	HB	J	
SC200	6A	46	19	22.5	4	28.7	43.8	48.6	Rc1/8	10.3	11.3	M14×1.0
	8A	46	19	22.5	4	28.7	43.8	48.6	Rc1/4	10.3	10.3	M14×1.0
SC300	10A	56	25.4	30	4	37	53.7	62.5	Rc3/8	13.8	13.8	M18×1.0
	15A	56	25.4	30	4	37	53.7	62.5	Rc1/2	12.7	12.7	M18×1.0

### Flow features

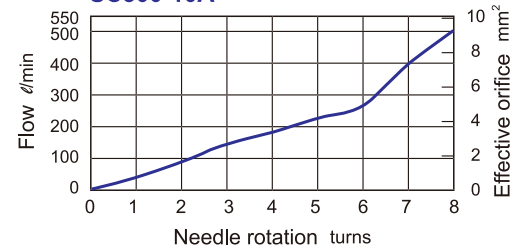
#### SC200-6A



#### SC200-8A



#### SC300-10A



#### SC300-15A

